



B 3

Fines recovery system

De-Waterer



STANDARD SPECIFICATIONS:

Type: Single Product

Output: Up to 35 TPH

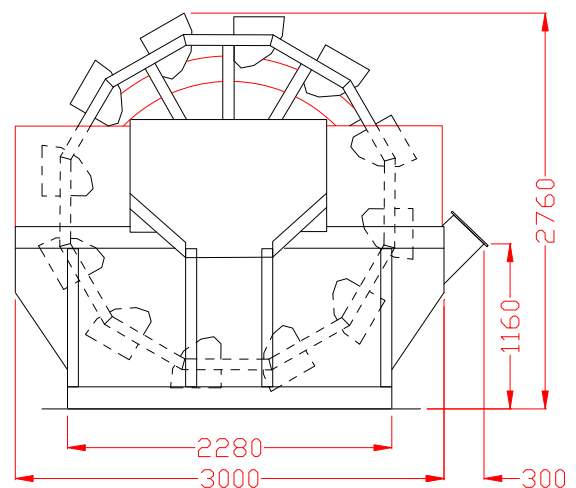
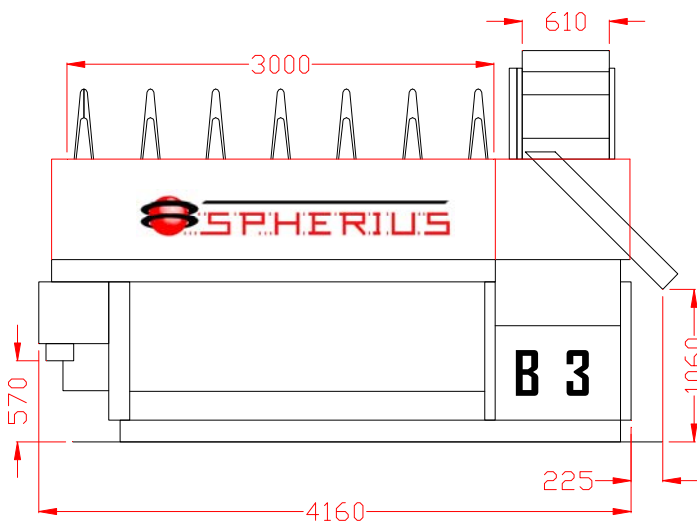
Bucket Diameter: 2740mm.

Buckets: 12 No (610 wide)

Spiral length: 3m.

Power: 5.5kw Electric/hydraulic

DIMENSIONS:



Price: POA
Contact Spherius Directly or the nearest Dealer in your area..

SPHERIUS L.T.D

Co Tyrone, Northern Ireland

Tel : + 44 2882 240611 Mob : + 44 79 61578573

E-mail: info@spherius.co.uk

Web: www.spherius.co.uk